

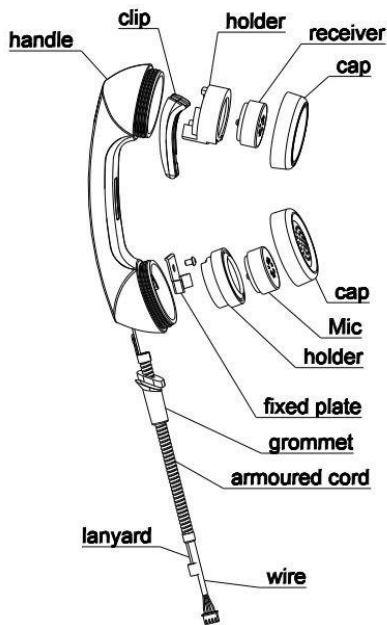
Visitation Telephone “Axial 2”



“**Axial 2**” is a heavy-duty Telephone; it’s a vandal resistant with armored cord handset and magnetic hook switch.

- Extremely robust and Heavy-Duty Telephone.
- Robust construction, Vandal resistant
- Moisture and Dust Proof
- One Inner board (Axial PCB HT-500)
- Connect telephone or line side by RJ11 connector
- Stainless steel armored handset cord
- Magnetic Cradle Hook switch only, no Tongue used
- Hook Switch Life > 1,000,000 operations
- Customer Logo Printing.
- Weatherproof and corrosion resistant handset.
- Compatible with CO & PABX
- Wall Mounted
- Spare parts available.
- **Made in Jordan.**

Handset Specifications



Features:

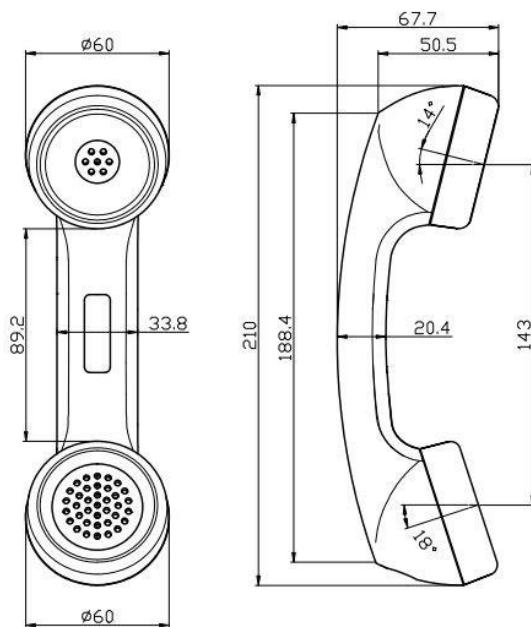
- >Armored Cord Coiled Cord
- >USB|PS2|3.5mmJack|RJ9|RJ11 Interface.....
- >Weather, Dust &Corrosion Resistance
- >Material: Engineering PC/ABS
- >Application: Payphone, Public Phone, Kiosk, VOIP Phone
- >Handset Shell Luster: Light/Honed

Agency Approvals:

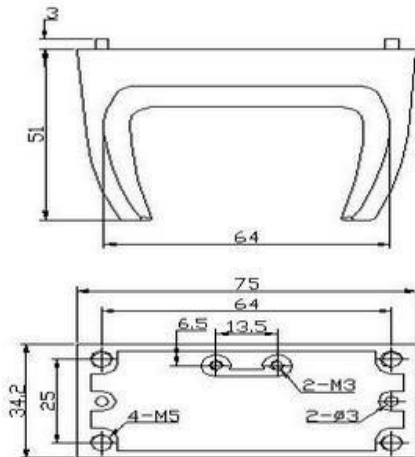
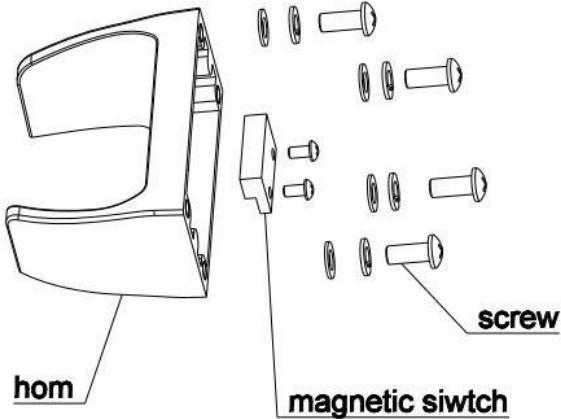
- >CE Approved

Specifications:

- >SLR: 5 ~ 15 dB
- >RLR: - 7 ~ 2 dB
- >STMR: ≥ 7 dB
- >Protection Degree: IP65-IP67
- >Hi-Fi Transmitter Receiver
- >4.2-in-GB/T15279-94-compliant
- >Ambient temperature: $-30 \sim +50$ °C
- >Relative Humidity: 10% ~ 95%
- >Atmospheric pressure: 80 ~ 110 kPa
- >Environmental Noise: ≤ 60 dB
- >Operating Frequency: 300 ~ 3400 Hz



Cradle Specifications



Features:

>The hook body is made of high-quality zinc alloy die-casting; it has a strong anti-destruction capability

>Surface plating, corrosion resistance

>High quality magnetic switches enable call-off, with the earpiece match, the handset to be equipped with magnets

>Thehooksurfacewithbrightchromeandchrome Sunamachi

>Range : Suitable forA01、A02、A14、A15、A19 handset.

Agency Approvals:

>CE Approved

Specifications:

>Protection Degree: IP65

>Operate temperature: -30~+65°C

>Relative humidity:30%-90%RH

>Storage temperature: -40~+85°C

>Relative humidity:20%~95%

>Atmospheric pressure : 60-106Kpa

Users select:

>Chrome fork color: bright chrome, chrome Sunamachi